

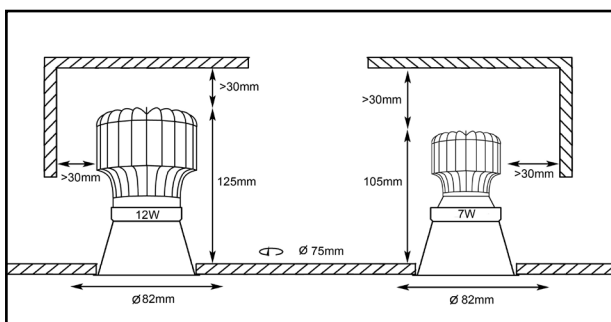
Low Glare Recessed Downlight



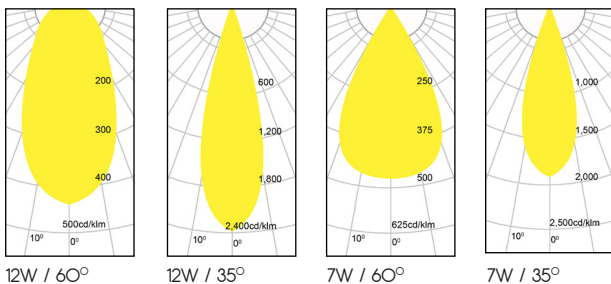
Details

- Designed to blend in with ceiling
- 2 light engine options / 12W or 7W
- White finish
- White reflector with adjustable lamp angle
- Replaceable light engine
- Replaceable dimmable driver
- CRI >85
- ELR convection heatsink technology
- Meets L1 and L2 UK building regulations
- Lifetime of 50000 hrs
- 3 year guarantee*

Dimensions



Photometric IES file available from www.truelux.com



Accessories

- Emergency backup - maintained /BM or non maintained /BNM

Product code

TA	Brightness	Colour temp	Beam	Colour	Driver	Accessory
TA	12	2800	35	White	Phase	BM

Options

Brightness 12W, 650lm²

Colour temp 2800K / 3000K / 4500K

Beam angle 20° / 35° / 60°

Colour White

Size 82mm diameter

Driver Phase / DALI / 1-10V dimming (110/240V)

²700lm @ 4500K

Brightness 7W, 330lm³

Colour temp 2800K, 3000K, 4500K

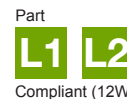
Beam angle 20° / 35° / 60°

Colour White

Size 82mm diameter

Driver Phase / DALI / 1-10V dimming (110/240V)

³360lm @ 4500K



IEC62031 IEC60598-1

Equivalent

- 12W - 50W halogen, 26W CFL, 20W metal halide
- 24W - 100W halogen, 52W CFL, 35W metal halide

Precautions

Ensure of adequate ventilation for light engine heatsink
Disconnect mains before installation

* warranty void if not fitted according to directions